

**PLEASE CHECK WWW.MOLEX.COM FOR LATEST PART INFORMATION**

**Part Number:** [0462070012](#)  
**Status:** **Active**  
**Description:** 4.20mm (.165") Pitch Mini-Fit RTC™ Reflow High Temperature Compatible Header, Dual Row, Vertical, 12 Circuits, 1.57mm (.062") PCB Thickness, with PCB Pegs, LCP Housing, with Tin (Sn) Over Nickel (Ni) Plating

**Documents:**

[3D Model](#) [Product Specification PS-46207-001 \(PDF\)](#)  
[Drawing \(PDF\)](#) [RoHS Certificate of Compliance \(PDF\)](#)

**Agency Certification**

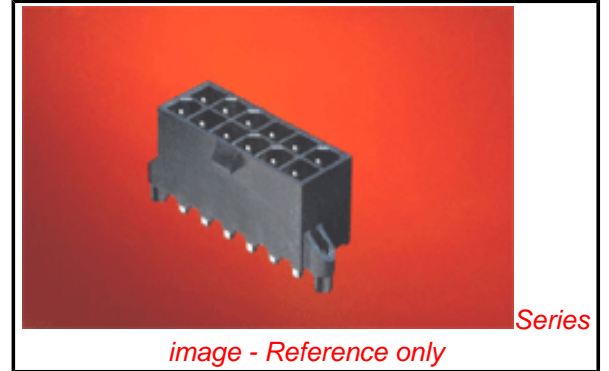
CSA LR19980  
 UL E29179

**General**

Product Family PCB Headers  
 Series [46207](#)  
 Application Board-to-Board, Wire-to-Board  
 Comments Current = 13A max. per circuit when header is mated to a receptacle loaded with [45750](#) Mini-Fit Plus HCS™ Crimp Terminal Crimped to to 16 AWG wire. . See Molex product specification PS-45750-001 for additional current de-rating information.  
 MolexKits Yes  
 Product Name Mini-Fit RTC™

**Physical**

Breakaway No  
 Circuits (Loaded) 12  
 Circuits (maximum) 12  
 Color - Resin Black  
 Durability (mating cycles max) 75  
 First Mate / Last Break No  
 Flammability 94V-0  
 Glow-Wire Compliant No  
 Guide to Mating Part No  
 Keying to Mating Part None  
 Lock to Mating Part Yes  
 Material - Metal Brass  
 Material - Plating Mating Tin  
 Material - Plating Termination Nickel  
 Material - Resin High Temperature Thermoplastic  
 Number of Rows 2  
 Orientation Vertical  
 PC Tail Length (in) 0.144 In  
 PC Tail Length (mm) 3.66 mm  
 PCB Locator Yes  
 PCB Retention Yes  
 PCB Thickness Recommended (in) 0.062 In  
 PCB Thickness Recommended (mm) 1.57 mm  
 Packaging Type Tray  
 Pitch - Mating Interface (in) 0.165 In  
 Pitch - Mating Interface (mm) 4.20 mm  
 Pitch - Term. Interface (in) 0.165 In  
 Pitch - Term. Interface (mm) 4.20 mm  
 Polarized to Mating Part Yes



**EU RoHS**

**ELV and RoHS Compliant**  
**REACH SVHC Contains SVHC: No**  
**Halogen-Free Status**  
**Halogen-Free**

**China RoHS**



**Need more information on product environmental compliance?**

Email [productcompliance@molex.com](mailto:productcompliance@molex.com)  
 For a multiple part number RoHS Certificate of Compliance, [click here](#)

Please visit the [Contact Us](#) section for any non-product compliance questions.

**Search Parts in this Series**

[46207Series](#)

**Mates With**

[45750](#) , [5557](#) Mini Fit Jr.™ Receptacle

Polarized to PCB	Yes
Shrouded	Fully
Stackable	No
Surface Mount Compatible (SMC)	Yes
Temperature Range - Operating	-40°C to +105°C
Termination Interface: Style	Through Hole

### **Electrical**

Current - Maximum per Contact	13A
Voltage - Maximum	600V AC (RMS)/DC

### **Solder Process Data**

Duration at Max. Process Temperature (seconds)	30
Lead-free Process Capability	SMC & Wave Capable (TH only)
Max. Cycles at Max. Process Temperature	3
Process Temperature max. C	260

### **Material Info**

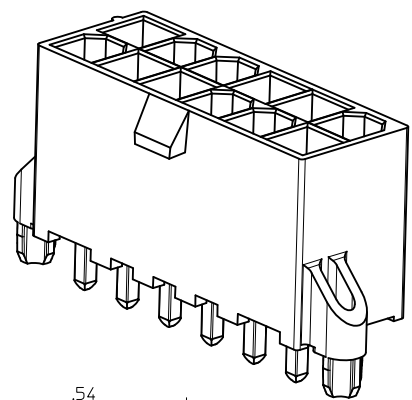
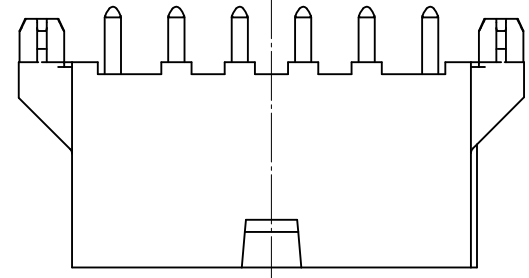
#### **Reference - Drawing Numbers**

Packaging Specification	PK-46207-001
Product Specification	PS-46207-001
Sales Drawing	SD-46207-001

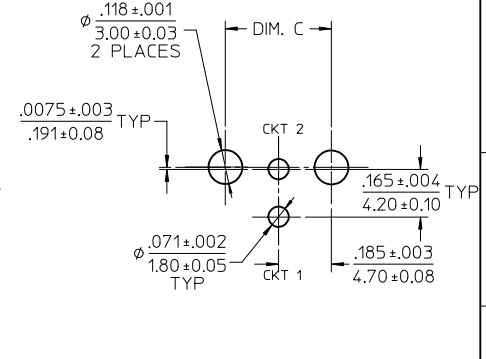
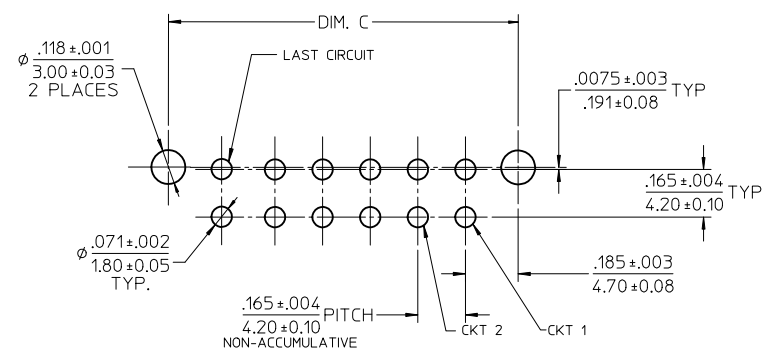
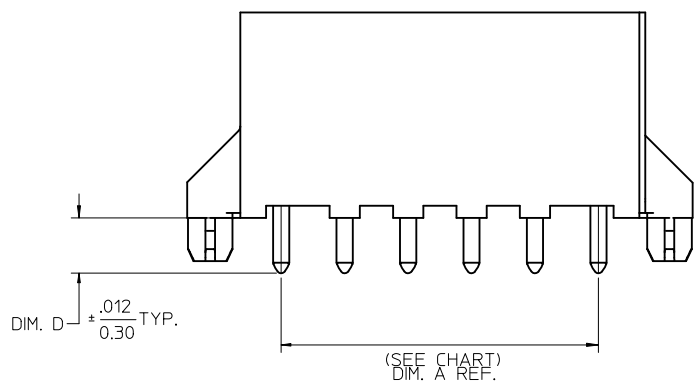
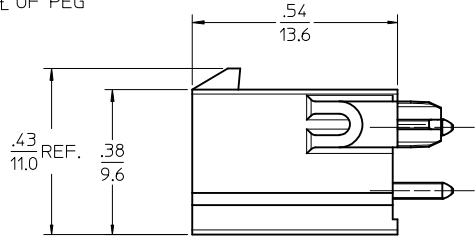
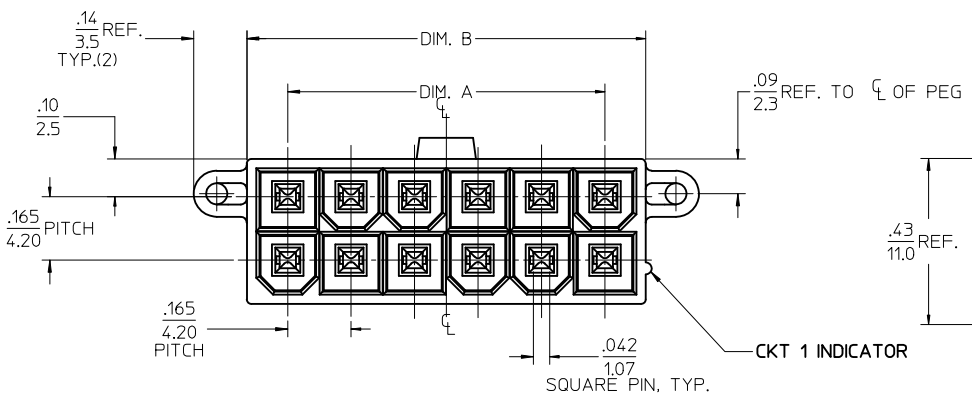
This document was generated on 06/07/2010

**PLEASE CHECK [WWW.MOLEX.COM](http://WWW.MOLEX.COM) FOR LATEST PART INFORMATION**

CIRCUIT SIZE	DIM. A	DIM. B	DIM. C
02	NA	0.21/5.4	0.37/9.4
04	0.165/4.20	0.38/9.6	0.535/13.60
06	0.331/8.40	0.54/13.8	0.701/17.80
08	0.496/12.60	0.71/18.0	0.866/22.00
10	0.661/16.80	0.87/22.2	1.031/26.20
12	0.827/21.00	1.04/26.4	1.197/30.40
14	0.992/25.20	1.21/30.6	1.362/34.60
16	1.160/29.40	1.37/34.8	1.528/38.80
18	1.323/33.60	1.54/39.0	1.693/43.00
20	1.488/37.80	1.70/43.2	1.858/47.20
22	1.654/42.00	1.87/47.4	2.024/51.40
24	1.819/46.20	2.03/51.6	2.189/55.60



ISOMETRIC VIEW  
(12 CKT - SHOWN)



LAYOUT FOR  
4-24 CIRCUIT

LAYOUT FOR  
2 CIRCUIT

RECOMMENDED PCB HOLE LAYOUT COMPONENT SIDE  
(SCALE 3:1)

- NOTES:
- MATERIALS:  
HOUSING - LIQUID CRYSTAL POLYMER (LCP), COLOR: BLACK  
TERMINAL - BRASS ALLOY C26000
  - TERMINAL PLATING:  
TIN= .000100/0.00254 MIN MATTE TIN OVER  
.000050/0.00127 MIN NICKEL OVERALL  
GOLD= .000030/0.00076 MIN. SELECT GOLD OVER  
.000100/0.00254 MIN. SELECT MATTE TIN OVER  
.000050/0.00127 MIN NICKEL OVERALL
  - PRODUCT SPECIFICATION: PS-46207-001
  - PACKAGING SPECIFICATION: TRAY PACK PER PK-46207-001  
TAPE AND REEL PACK PER PK-46207-002
  - PART CONFORMS TO CLASS "B" REQUIREMENTS OF COSMETIC SPECIFICATION PS-45499-002.

ADDED GOLD PN EC NO: UCP2010-1779 DRWN: JAGUILAR 2010/01/26 CHKD: BELL 2010/02/22 APPR: FSMTH 2010/02/22 D4	QUALITY SYMBOLS 	GENERAL TOLERANCES (UNLESS SPECIFIED)		DIMENSION STYLE <b>IN/MM</b>	SCALE <b>4:1</b>	DESIGN UNITS <b>METRIC</b>	THIRD ANGLE PROJECTION
		4 PLACES ± --- ± --- 3 PLACES ± --- ± .005 2 PLACES ± 0.13 ± .010 1 PLACE ± 0.25 ± --- ANGULAR ±1/2°	DRAWN BY DROSCA 08/07/2006	DATE 08/07/2006	TITLE <b>MINI-FIT RTC HI-TEMP VERTICAL HEADER IN LCP, W/PCB PEGS</b>	MOLEX INCORPORATED	SHEET NO. <b>1 OF 2</b>
		DRAFT WHERE APPLICABLE MUST REMAIN WITHIN DIMENSIONS	CHECKED BY BWIRKUS 08/07/2006	DATE 08/07/2006	MATERIAL NO. <b>SEE TABLE</b>	DOCUMENT NO. <b>SD-46207-001</b>	THIS DRAWING CONTAINS INFORMATION THAT IS PROPRIETARY TO MOLEX INCORPORATED AND SHOULD NOT BE USED WITHOUT WRITTEN PERMISSION

GOLD PLATING					
CIRCUIT SIZE	TAPE & REEL MATERIAL NUMBER	TRAY PACKED MATERIAL NUMBER	DIM. D	PCB THICKNESS	
02	462077002 *	462075002 *	0.144/3.66	0.062	
04	462077004 *	462075004 *	0.144/3.66	0.062	
06	462077006 *	462075006 *	0.144/3.66	0.062	
08	462077008 *	462075008 *	0.144/3.66	0.062	
10	462077010 *	462075010 *	0.144/3.66	0.062	
12	462077012 *	462075012 *	0.144/3.66	0.062	
14	462077014 *	462075014 *	0.144/3.66	0.062	
16	462077016 *	462075016 *	0.144/3.66	0.062	
18	462077018 *	462075018 *	0.144/3.66	0.062	
20	462077020 *	462075020 *	0.144/3.66	0.062	
22	462077022 *	462075022 *	0.144/3.66	0.062	
24	462077024 *	462075024 *	0.144/3.66	0.062	
02					
04					
06					
08					
10					
12					
14					
16					
18					
20					
22					
24					

TIN PLATING					
CIRCUIT SIZE	TAPE & REEL MATERIAL NUMBER	TRAY PACKED MATERIAL NUMBER	DIM. D	PCB THICKNESS	
02	462073002 *	462070002 *	0.144/3.66	0.062	
04	462073004 *	462070004 *	0.144/3.66	0.062	
06	462073006 *	462070006 *	0.144/3.66	0.062	
08	462073008 *	462070008 *	0.144/3.66	0.062	
10	462073010 *	462070010 *	0.144/3.66	0.062	
12	462073012 *	462070012 *	0.144/3.66	0.062	
14	462073014 *	462070014 *	0.144/3.66	0.062	
16	462073016 *	462070016 *	0.144/3.66	0.062	
18	462073018 *	462070018 *	0.144/3.66	0.062	
20	462073020 *	462070020 *	0.144/3.66	0.062	
22	462073022 *	462070022 *	0.144/3.66	0.062	
24	462073024 *	462070024 *	0.144/3.66	0.062	
02		462070102 *	0.176/4.46	0.093	
04		462070104 *	0.176/4.46	0.093	
06		462070106 *	0.176/4.46	0.093	
08		462070108 *	0.176/4.46	0.093	
10		462070110 *	0.176/4.46	0.093	
12		462070112 *	0.176/4.46	0.093	
14		462070114 *	0.176/4.46	0.093	
16		462070116 *	0.176/4.46	0.093	
18		462070118 *	0.176/4.46	0.093	
20		462070120 *	0.176/4.46	0.093	
22		462070122 *	0.176/4.46	0.093	
24		462070124 *	0.176/4.46	0.093	
02		462070202 *	0.207/5.26	0.125	
04		462070204 *	0.207/5.26	0.125	
06		462070206 *	0.207/5.26	0.125	
08		462070208 *	0.207/5.26	0.125	
10		462070210 *	0.207/5.26	0.125	
12		462070212 *	0.207/5.26	0.125	
14		462070214 *	0.207/5.26	0.125	
16		462070216 *	0.207/5.26	0.125	
18		462070218 *	0.207/5.26	0.125	
20		462070220 *	0.207/5.26	0.125	
22		462070222 *	0.207/5.26	0.125	
24		462070224 *	0.207/5.26	0.125	

\* DESIGNATES PART NOT RELEASED CONTACT FACTORY FOR AVAILABILITY.

\* DESIGNATES PART NOT RELEASED CONTACT FACTORY FOR AVAILABILITY.

<b>SEE SHEET 1</b> EC NO: UCP2010-1779 DRWN: JAGUILAR 2010/01/26 CHKD: JBELL 2010/02/22 APPR: FSMITH 2010/02/22	QUALITY SYMBOLS ▽=0 ▽=0 ▽=0	GENERAL TOLERANCES (UNLESS SPECIFIED) mm INCH 4 PLACES ± --- ± --- 3 PLACES ± --- ± .005 2 PLACES ± 0.13 ± .010 1 PLACE ± 0.25 ± --- ANGULAR ± 1/2°	DIMENSION STYLE IN/MM DRAWN BY DATE DROSCA 08/07/2006 CHECKED BY DATE BWIRKUS 08/07/2006 APPROVED BY DATE BWIRKUS 08/07/2006	SCALE 1:1 DESIGN UNITS METRIC THIRD ANGLE PROJECTION	TITLE MINI-FIT RTC HI-TEMP VERTICAL HEADER IN LCP, W/PCB PEGS MOLEX INCORPORATED	MATERIAL NO. SEE CHART	DOCUMENT NO. SD-46207-001	SHEET NO. 2 OF 2
	DRAFT WHERE APPLICABLE MUST REMAIN WITHIN DIMENSIONS		THIS DRAWING CONTAINS INFORMATION THAT IS PROPRIETARY TO MOLEX INCORPORATED AND SHOULD NOT BE USED WITHOUT WRITTEN PERMISSION					
	D4		SIZE C					